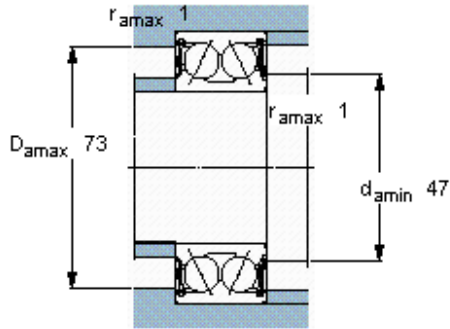
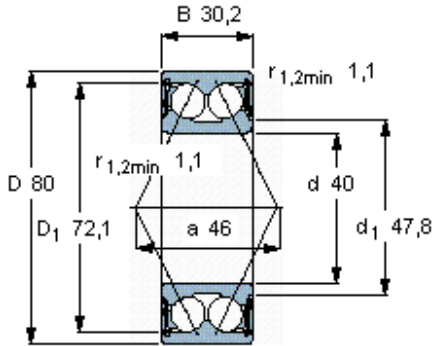


Angular contact ball bearings, double row

| Principal dimensions |    |      | Basic load ratings |              | Speed ratings            |                | Designation                   |
|----------------------|----|------|--------------------|--------------|--------------------------|----------------|-------------------------------|
| d                    | D  | B    | dynamic<br>C       | static<br>C0 | Reference speed<br>r/min | Limiting speed |                               |
| mm                   |    |      | kN                 |              |                          |                | <b>* SKF Explorer bearing</b> |
| <b>40</b>            | 80 | 30,2 | 47,5               | 34           | -                        | 5600           | <b>3208 A-2RS1TN9/MT33 *</b>  |



**Calculation factors**

- $k_r$  0,06
- $e$  0,8
- $X$  0,63
- $Y_1$  0,78
- $Y_2$  1,24
- $Y_0$  0,66